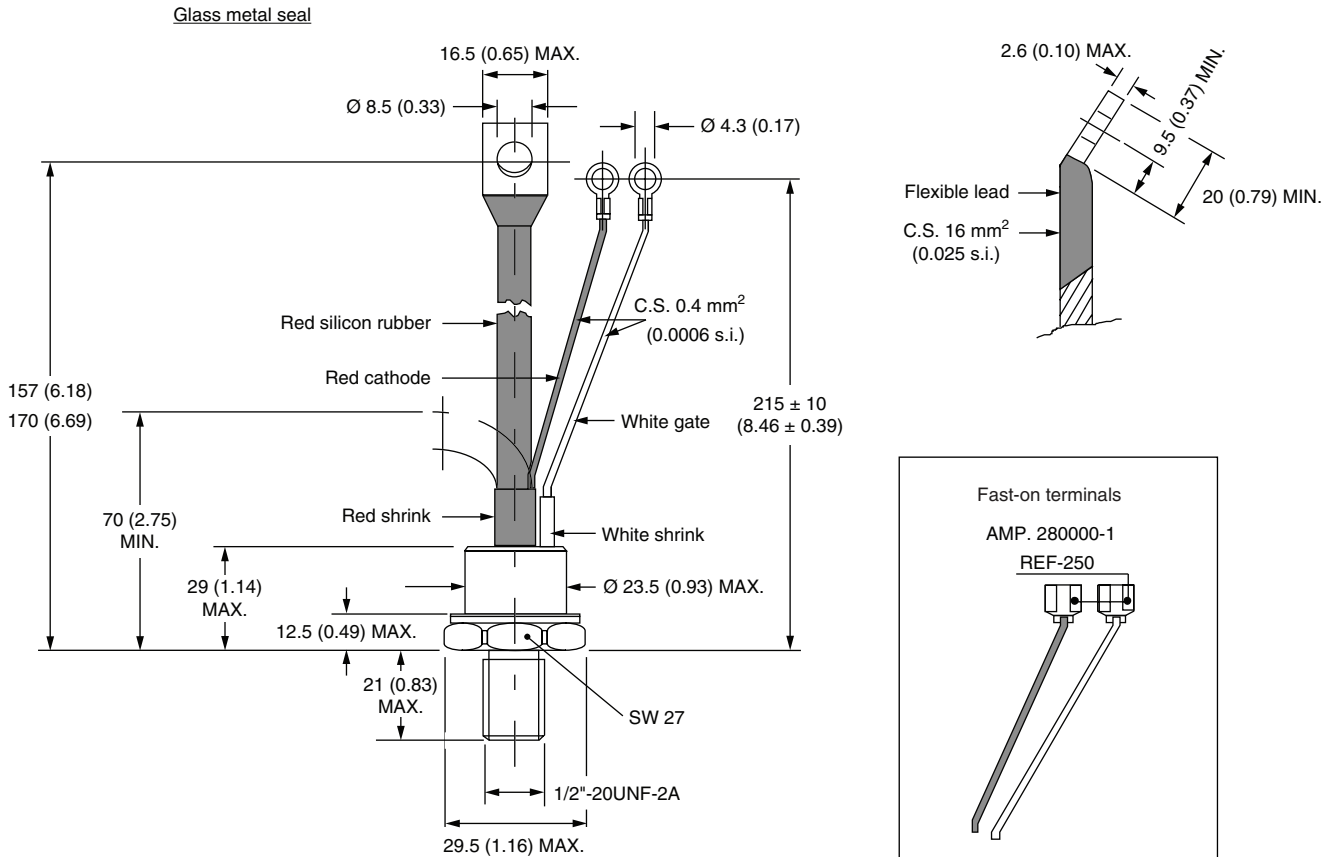


TO-209AC (TO-94) for ST110S Series

DIMENSIONS in millimeters (inches)



Outline Dimensions



Vishay High Power Products TO-209AC (TO-94) for ST110S Series

DIMENSIONS in millimeters (inches)

